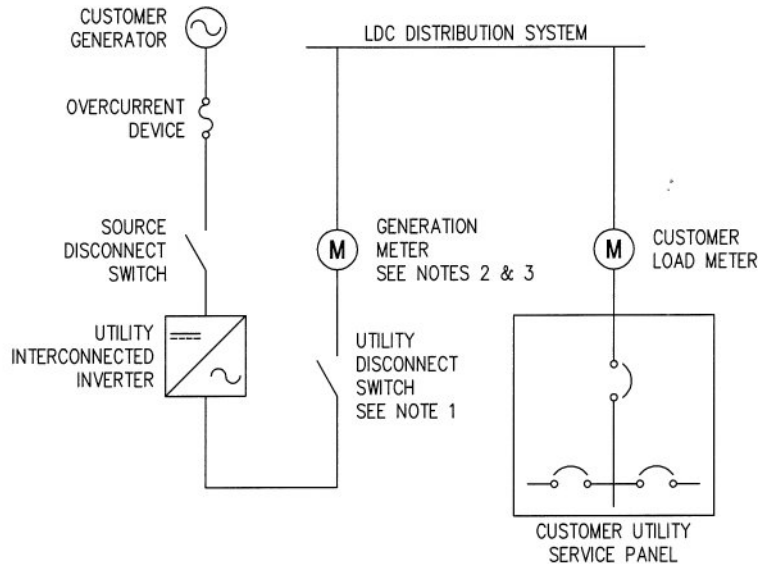


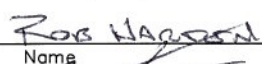

TYPICAL LAYOUT DIAGRAM – DIRECT CONNECTION



TYPICAL SCHEMATIC DIAGRAM – DIRECT CONNECTION

NOTES:

- 1) THE CUSTOMER SHALL SUPPLY AND INSTALL A UTILITY DISCONNECT SWITCH ADJACENT TO THE GENERATION METER AND IN A LOCATION APPROVED BY THE ESPANOLA REGIONAL HYDRO. THE DISCONNECT SWITCH SHALL BE LOCKABLE IN THE OPEN POSITION. THERE IS NO REQUIREMENT FOR DISCONNECT SWITCH CONTACT OPERATION TO BE VERIFIABLE BY DIRECTLY VISIBLE MEANS.
- 2) THE CUSTOMER SHALL SUPPLY AND INSTALL ALL METER BASES IN ACCORDANCE WITH ESPANOLA REGIONAL HYDRO CONDITIONS OF SERVICE.
- 3) FOR 120/240 V UNDERGROUND INSTALLATIONS WHERE ESPANOLA REGIONAL HYDRO WILL BE SUPPLYING AND INSTALLING THE CABLE BETWEEN THE UTILITY CONNECTION POINT AND THE METER BASE, THE CUSTOMER SHALL PROVIDE AN 'OVERSIZED' METER BASE WITH MINIMUM DIMENSIONS OF 430 mm x 300 mm x 120 mm TO ALLOW SUFFICIENT ROOM FOR BENDING OF CABLES.
- 4) FOR AN UNDERGROUND UTILITY CONNECTION, THE CUSTOMER MAY CHOSE TO (A) SUPPLY AND INSTALL BOTH CONDUIT AND CABLE THEMSELVES OR (B) INSTALL ONLY CONDUIT WITH ESPANOLA REGIONAL HYDRO SUPPLYING AND INSTALLING THE CABLE AT A COST TO THE CUSTOMER. FOR OPTION (B) THE CUSTOMER MUST INSTALL A 4" CONDUIT FOR THE HORIZONTAL RUN, REDUCE TO A 2" RISER AT THE METER BASE END, COMPLETE WITH A PULL STRING INSTALLED FROM END AND INSPECTED BY A ESPANOLA REGIONAL HYDRO AGENT BEFORE BACKFILLING. FOR BOTH (A) AND (B), THE ESPANOLA REGIONAL HYDRO WILL SUPPLY AND INSTALL THE LAST LENGTH OF CONDUIT INTO AN UNDERGROUND UTILITY HANDBOX OR WILL INSTALL THE VERTICAL SECTION OF CONDUIT UP THE UTILITY RISER POLE AND MAKE THE UTILITY END CONNECTIONS. THE CUSTOMER IS TO PROVIDE ALL NECESSARY CONDUIT.

CERTIFICATE OF APPROVAL	
The installation work covered by this document meets the safety requirements of Section 4 of Regulation 22/04	
 Name	2010/06/28 Date
 Signature & Professional Designation	

SCALE:
NTS



STANDARD INSTALLATION DRAWING
microFIT GENERATION PROJECT
RESIDENTIAL AND SMALL COMMERCIAL SERVICES (200 A OR LESS)
DIRECT PARALLEL METER CONNECTION

DRAWN BY: J. Tevc	DATE: FEB 23/10
CHECKED BY: M. Orr	DATE: FEB 24/10
APPROVED BY: R. Harten	DATE: MAR 25/10
Drawing Number: ERH-10-501-C	Rev. 0

No.	Revision	Date	Initial